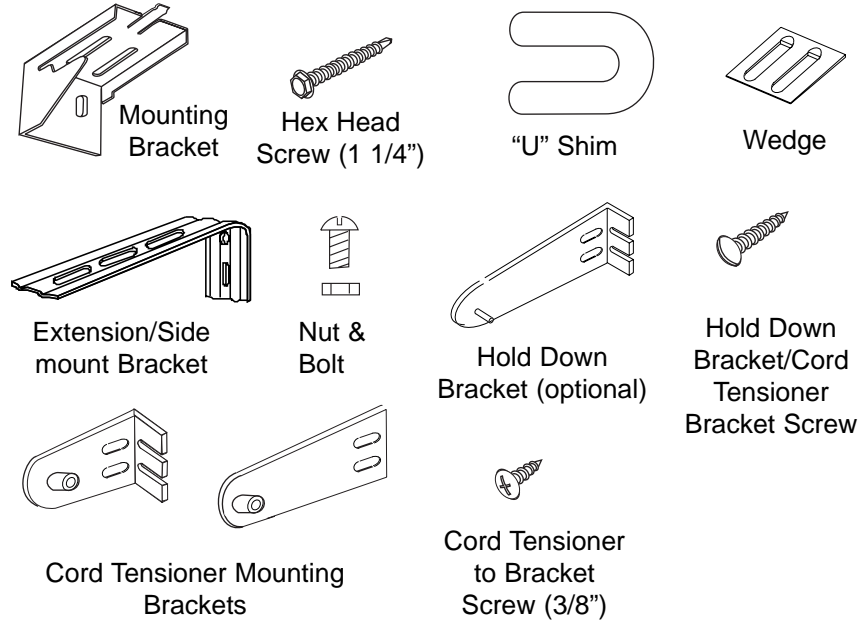


BASICS

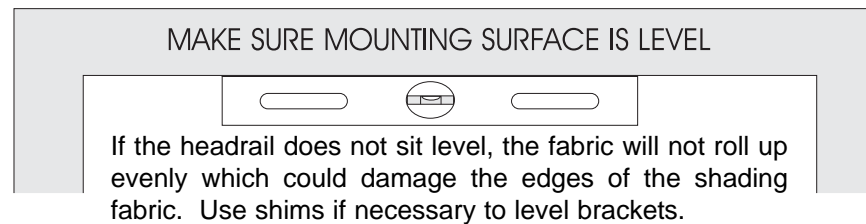
A few simple tools are required:

- Measuring tape
- Carpenters Level
- Power drill or Phillips head Screwdriver
- 1/4" Hex head and/or Phillips driver bit

Additional fasteners other than those sent with your shading may be required depending on the mounting surface. Wallboard and plaster require the use of anchors such as expansion or toggle bolts. Brick, tile or stone need special plugs and drill bits. Remember to always pre-drill holes in wood to avoid splitting.



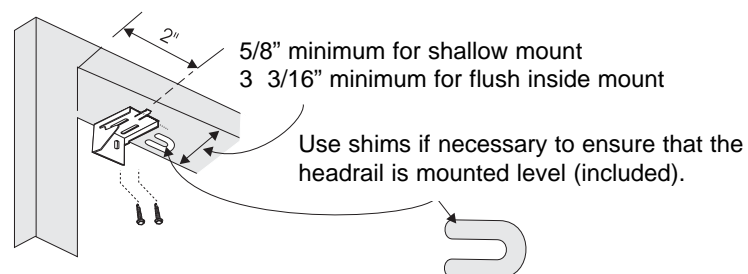
Step 1. BRACKET INSTALLATION



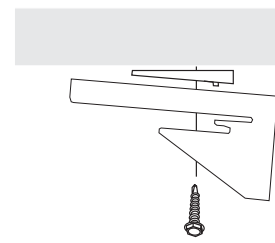
End brackets should be located with centerlines 2" in from each end. Depending on the width of the shading, additional brackets may be necessary evenly spaced between the two end brackets.

Shade width	# of Brackets
Up to 40"	2
>40" - 72"	3
>72" - 84"	4
>84" - 114"	5

Inside Mount

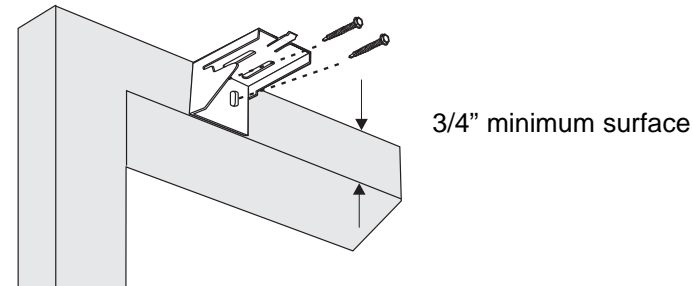


Fully Recessed Inside Mount



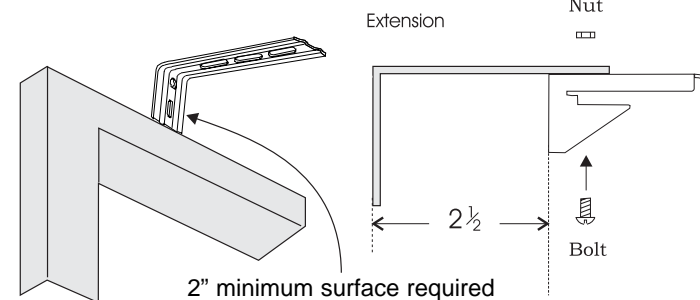
Low light gap wedges can be used to reduce the top light gap when the shade is mounted fully recessed. The wedge is placed between the mounting surface and the bracket with the tabs on the wedge facing down and the thick end of the wedge toward the back of the bracket.

Outside Mount



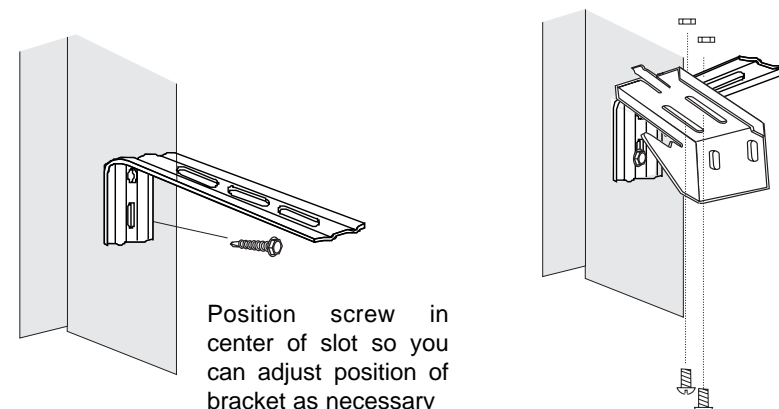
Extension Brackets (optional)

Optional Extension Brackets are used to project the back of the shading up to 2 1/2" from the mounting surface. Attach the Standard Mounting Bracket to the Extension Bracket with the nut and bolt provided.



Side Mount (optional)

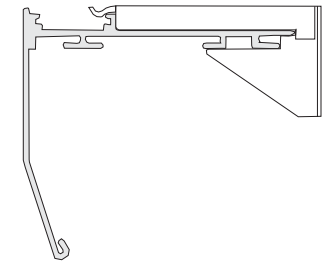
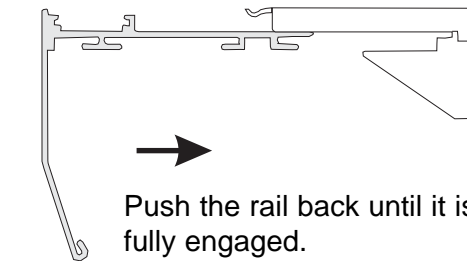
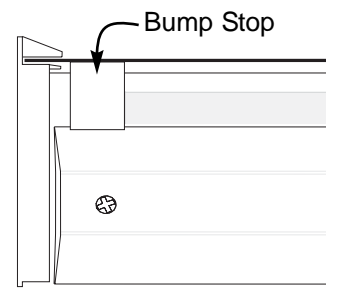
Measure from window sill up to desired mounting position on each side of the window frame. Mark position. Mount Side Mount Brackets on each side of window frame as shown. Make sure to confirm that headrail will sit perfectly level. Once Side Mount Brackets are installed and properly positioned, attach the Standard Mounting Brackets using the nuts and bolts provided.



Step 2. HANGING THE SHADE

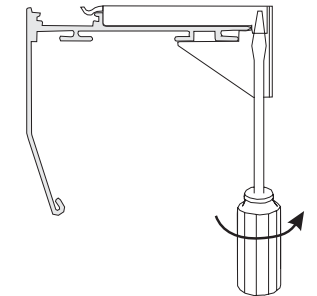
Bump Stops (used standard headrail)

Before installing the shading, it is important to check the position of the bump stops inside the headrail. There are two stops which prevent the bottom rail from travelling too far into the headrail. These bump stops need to be at the ends of the headrail, butting up to the endcap. This will prevent the bottom rail from stacking unevenly in the headrail.



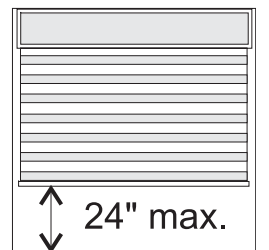
Install Headrail

To remove the shading, partially lower the shading and insert a flat head screwdriver as shown (fig.10). Twist the screwdriver until the headrail disengages from the bracket.



Step 3. OPERATION

Pulling down on the back cord will lower the shading. When the window shading is completely lowered, pulling down on the back cord will open the vanes. Continued pulling in this direction will raise the fabric with the vanes in the open position. **The window shading must only be raised a maximum of 24" in this manner to avoid damaging the fabric.** There is a stop pre-set in the deluxe headrail to allow only 24" of reverse roll-up. **There is no stop on the standard headrail. DO NOT reverse roll more than 24".**



Pulling down on the front cord will close the vanes and then raise the shading.

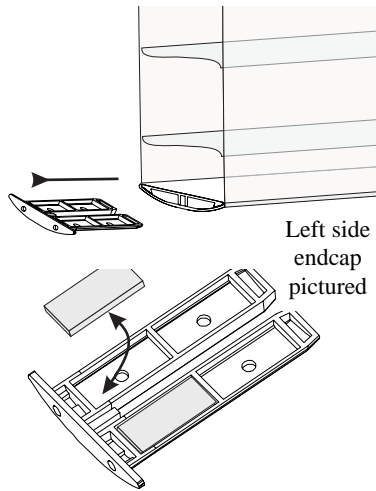
Equalization Adjustment

After installation, the shade may shift to one side as it rolls up, and require adjustment at the bottom rail. The shade has one of two possible versions of bottom rail. One version utilizes adjustment screws. The other version utilizes replaceable weights.

Version 1

Check the sides of the bottom rail endcaps. If there is a small diamond in the center of the endcaps, your shade utilizes replaceable weights for adjustment.

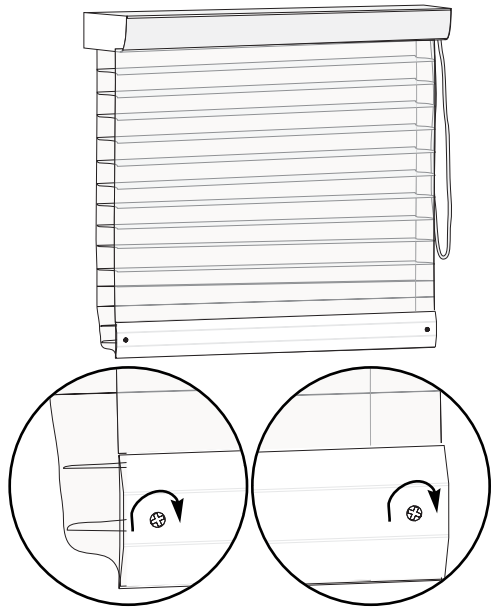
If the fabric is moving to one side (or one side of the bottom rail is higher than the other), slide the endcap from that higher side out of the rail. There are two weights in the endcap already, and two empty positions for new weights. Place a weight in one of the positions. Replace the endcap and check the operation again. If the shade still shifts, add the additional weight. If the shade still shifts, *remove* weights from the the *other* endcap for additional adjustment.



Version 2

Flip the bottom rail up so you can see the bottom of the rail. If there are only two screws, placed one inch from the ends of the rails, the bottom rail utilizes the adjustable screws method.

If the fabric is moving to the right (or the right side of the bottom rail is higher than the left), turn the left side screw clockwise. If the fabric is moving to the left (or the left side of the bottom rail is higher than the right), turn the right side screw clockwise.



Step 4. CHILD SAFETY

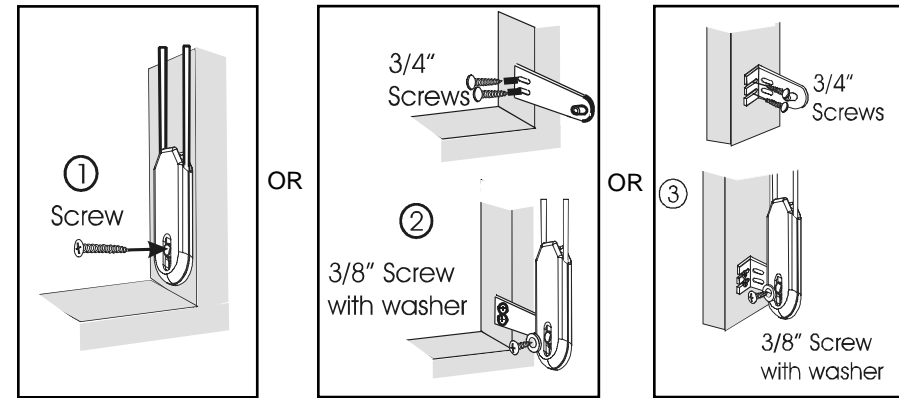
The American National Standard for Safety of Corded Window Covering Products (ANSI) requires the use of a cord tie down (cord tensioner) on all continuous loop cord systems. The use of such a device is intended to significantly reduce the occurrence of infant or small child strangulation injuries or deaths resulting from the looped pull cords on various window treatment products.

The Cord Tensioner is installed on the Lift Cord before packaging. The Tensioning device should be mounted in the proper position to pull the cord taut in order to reduce the possibility of injury.

Cord Tensioner Installation

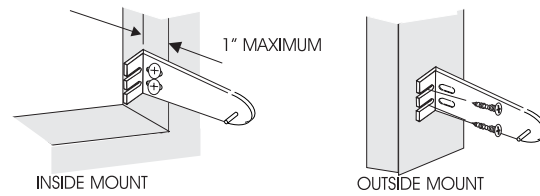
Lower the shading. Choose one of the three installation methods shown to position the tension device on the window frame or the wall so that the tension device and the control cord do not interfere with shade operation.

The control cord must be taut but still operable. Do not allow for any slack. Do not twist or cross the control cord.



Step 5. HOLD DOWN INSTALLATION (optional)

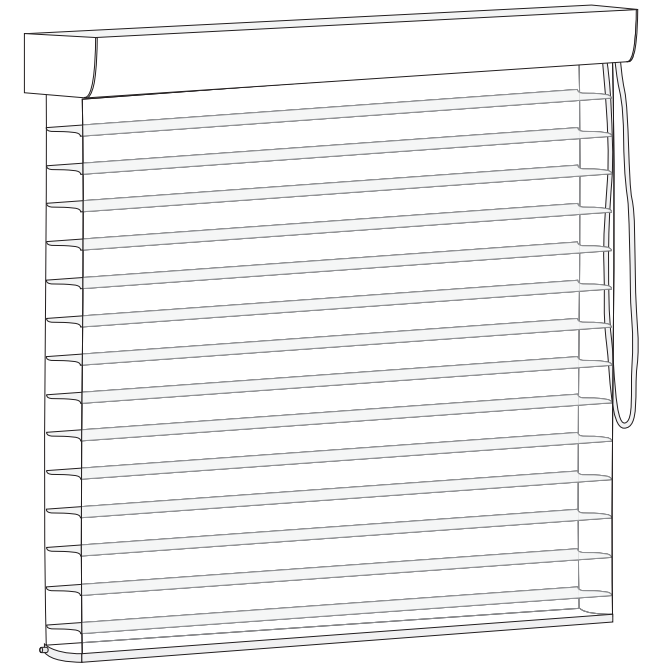
Use the pin on the hold down bracket to punch out the front hole on the bottom rail end cap. Mount the hold down to the side or back of the window frame so that the pin lines up with the front hole in the bottom rail end cap with the shade fully lowered and fully open. Lower the shading and flex the hold down bracket outward so that the pin can be inserted into the hole in the end cap.



CLEANING AND CARE

The soft and delicate appearance of our Sheer Shades is at contrast with the durability of the material. Our Sheer shades are fashioned from sturdy, knitted polyester fabrics and may be lightly dusted with a feather or static duster, or vacuumed at a low suction setting. Stains and spots may be carefully rubbed clean with a damp sponge and a very mild cleaning solution. To avoid discoloration of the material, we recommend against the use of chemical cleaners. If necessary, the shading may be ultrasonically cleaned by a professional.

All knitted fabrics experience weave variations due to heat, humidity and other room conditions. These variations can result in slight bowing, puckering and dimpling of the Sheer Horizontal material. The possible variations are minor and have been shown through case study not to detract from the beauty of this product.



Sheer Shade / Vienna Shade

Installation Instructions